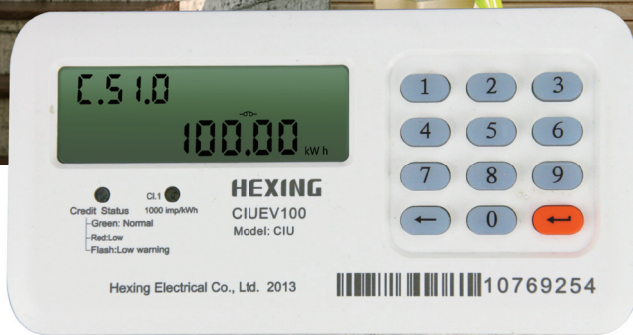


CIU EV100

Customer Interface Unit



CIU EV100 is a customer interface unit with keypad and big LCD. It communicates with metering unit by dual-wire for energy consumption monitoring and credit charging



LCD display



Alarm indicator



Real time clock

Main Functionalities

LCD Display

- o Large digit LCD display:67.5mm x 21mm
- o Backlight(optional)
- o Scrolling display configurable
- o Short code display
- o OBIS codes (according to IEC62056-64)

Alarm

- o Internal self-check
- o Energy accuracy / Alarms indicator (LED)
- o Credit indicator (LED)
- o Buzzer alarm

Communication

- o Dual-wire communication

Clock

- o Quartz crystal time resource
- o Gregorian calendar
- o Automatic synchronization

Keypad

- o 3 x 4 matrix keyboard

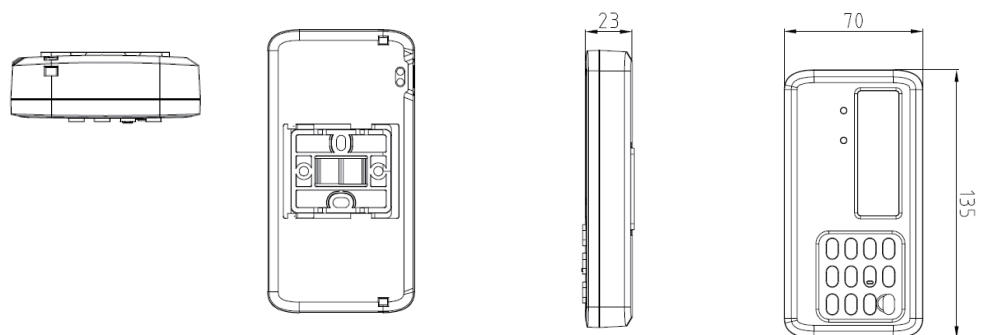
Installation

- o Wall-mounted
- o 2 individual fixing screws

TECHNICAL SPECIFICATION

NOMINAL VOLTAGE		220V, 230V, 240V
FREQUENCY		50 / 60Hz
TEMPERATURE RANGE	Operation: Storage:	- 25 ° C to +60 ° C - 40 ° C to +75 ° C
HUMIDITY RANGE		Up to 95%
PROTECTION DEGREE		IP51
INSULATING STRENGTH	Impulse voltage AC voltage	6KV 1.2 / 50us 4KV
RTC	Clock Accuracy	< 0.5s / day
COMMUNICATION	Built-in	Dual-wire
INDICATOR	Credit status LED Energy accuracy / Alarm LED	1 for credit status indicator 1 for energy accuracy / alarm indicator
DISPLAY	Type Size Digit size	LCD (7 Segment) 67.5mm x 21mm 8.4mm x 4.3mm
BATTERY		N / A
HOUSING MATERIAL		Polycarbonate+GF
WEIGHT		About.0.12kg
DIMENSION		135mm X 70mm X 23mm (W X H X D)

DIMENSION



NAFTEX INTERNATIONAL S. R. L.

Erik Ekman #29, Las Villas de Arroyo Hondo
Santo Domingo, Dominican Republic, 10603
+1 (809) 563 4239 info@naftexdr.com
www.naftexdr.com

