



# METERING COMBINED TRANSFORMER



## COMBINED TRANSFORMER

### Description:

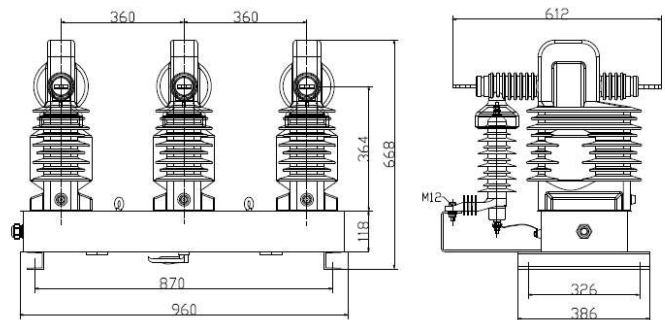
Transformers are composed of three single-phase voltage transformers and current transformers, all transformers are casted by high quality outdoor electric epoxy resin .These products are fully enclosed equipped with lightning arrester(Providing disconnecter if require), with excellent electrical and insulating performance, and suitable for widely shifting conditions.

The products have a lot of benefits like high accuracy, multi-ratio, anti-tamper, fire and explosion proof, maintenance-free and etc. The mounting base (or our own smart meter box) has been predicted in the bottom of product in which equipped with secondary terminal box. And the secondary signal can be transferred to electrical meter or other secondary equipment by cables.

The products can be used in electric power grid with rated system voltage up to 20 kV and frequency of 50/60 Hz

- Excellent electrical and insulation performance
- Wide range of applications, Wide Range, Multiple transformation ratio;
- Excellent weather resistance, Outdoor type, maintenance-free;
- High accuracy;
- Small size, light weight ;
- Prevent electric stealing

Primary rated current (A)	Secondary rated current (A)	Accuracy class	Rated load (VA)	Thermal rated current-short time (kA / S)	Dynamic rated current (kA)	Nominal insulation level (kV)
5-10,5	5, 1	0.2S 0.5S	10-20	0.5	1.25	17.5/38/95 24/50/125
10-20,10				1	2.5	
15-30,15				1.5	7.75	
20-40,20				2	5	
25-50,25				3	7.5	
40-80,40				4	10	
50-100,50				5	12.5	
75-150,75				7.5	18.75	
100-200,100				10	25	
150-300,150				15	37.5	
200-400,200				20	50	
300-600,300				31.5	80	
400-800,400				31.5	80	
500-1000,500	31.5	80				
800-1600,800	31.5	80				



## CURRENT TRANSFORMERS

### Description:

Current transformer is casted from epoxy resin, fully enclosure structure. High permeability core import or Nanocrystalline silicon, the product has excellent electrical insulation properties. It can be used for connection of equipment for industrial and commercial loads under tropical climate conditions.

The bottom of the product can be configured on-demand mount and protective transparent cover's product with small size, high precision, multi-ratio, anti-theft, fire proof, maintenance-free, easy to stall and so on. It is appropriate for rated frequency of 50Hz or 60Hz power system for current, energy metering.

- Adapt to wide broad, range wide ;
- Fully sealed structure, excellent insulation properties ;
- Good protective properties, anti-tampering ;
- Good overload performance, low temperature rising ;
- High accuracy, high-capacity ;
- Temperature Range:  $-5^{\circ}\text{C} \sim 45^{\circ}\text{C}$
- Relative Humidity:  $\leq 95\%$
- Altitude:  $\leq 2000\text{ m}$
- Pollution Level: Class III
- Insulation Level: Class A ( $< 105^{\circ}\text{C}$ )
- Rated Frequency: 50Hz or 60Hz
- Rated Insulation Level: 0.72/3kV



Primary rated current (A)	Secondary rated current (A)	Accuracy class	Rated output load (VA)
200-400	5, 1	0.5S	10
200			
300			
400			
600			
800			
1200			