



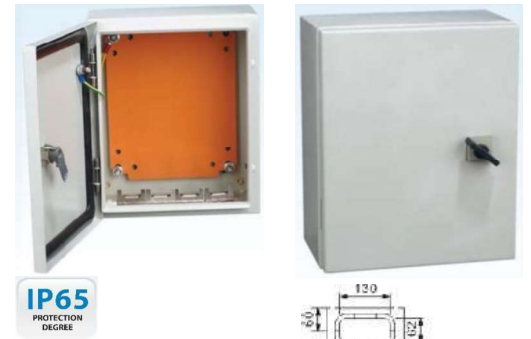
METERING EQUIPMENTS



METERING CABINETS

Configuration:

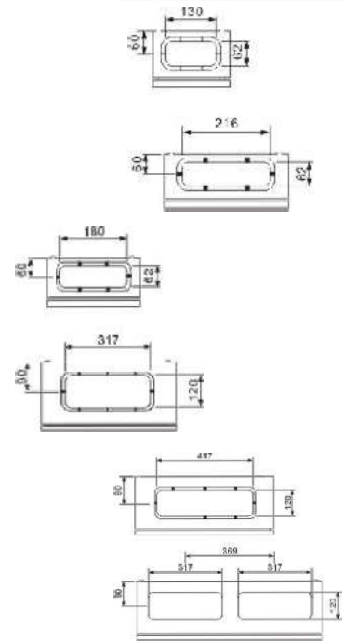
- Cabinet, interior door locks mounting plate, locking ring and accessories.
- Mounting plate: galvanized sheet
- Material: cold rolled, steel cover and front door, mounting plate
- Against mechanical impacts: IK10
- Surface treatment: thermoset powder coating, corrugated finish
- Color: RAL-7032 (Grey)
- Protection: IP65



Model	WxHxD (mm)	Enclosure & Door (mm)	Mounting Plate (mm)
ARAP01	250 x 200 x 150	1.2	2
ARAP02	300 x 250 x 150	1.2	2
ARAP03	300 x 250 x 200	1.2	2
ARAP04	300 x 300 x 150	1.2	2
ARAP05	300 x 300 x 200	1.2	2
ARAP06	300 x 400 x 200	1.2	2
ARAP07	400 x 300 x 150	1.2	2
ARAP08	400 x 300 x 200	1.2	2
ARAP09	400 x 400 x 200	1.2	2
ARAP10	400 x 600 x 250	1.2	2
ARAP11	400 x 600 x 300	1.2	2
ARAP12	500 x 400 x 150	1.2	2
ARAP13	500 x 400 x 200	1.2	2
ARAP14	500 x 400 x 250	1.2	2

Model	WxHxD (mm)	Enclosure & Door (mm)	Mounting Plate (mm)
ARAP15	500 x 500 x 250	1.2	2
ARAP16	600 x 400 x 150	1.2	2
ARAP17	600 x 400 x 200	1.2	2
ARAP18	600 x 400 x 250	1.2	2
ARAP19	600 x 500 x 200	1.2	2
ARAP20	600 x 500 x 200	1.2	2
ARAP21	600 x 500 x 250	1.2	2
ARAP22	600 x 600 x 250	1.2	2
ARAP23	600 x 600 x 300	1.2	2
ARAP24	600 x 800 x 300	1.2	2
ARAP25	700 x 500 x 200	1.2	2
ARAP26	700 x 500 x 250	1.2	2
ARAP27	800 x 600 x 200	1.2	2
ARAP28	800 x 600 x 250	1.2	2

Model	WxHxD (mm)	Enclosure & Door (mm)	Mounting Plate (mm)
ARAP29	800 x 600 x 300	1.2	2
ARAP30	800 x 600 x 400	1.2	2
ARAP31	800 x 800 x 200	1.2	2
ARAP32	800 x 800 x 300	1.2	2
ARAP33	800 x 1000 x 300	1.2	2
ARAP34	1000 x 600 x 250	1.2	2
ARAP35	1000 x 600 x 300	1.2	2
ARAP36	1000 x 800 x 250	1.2	2
ARAP37	1000 x 800 x 300	1.2	2
ARAP38	1000 x 800 x 400	1.2	2
ARAP39	1000 x 1000 x 300	1.2	2
ARAP40	1000 x 1200 x 300	1.2	2
ARAP41	1200 x 800 x 300	1.2	2
ARAP42	1200 x 800 x 400	1.2	2
ARAP43	1200 x 1000 x 300	1.2	2



WALL-MOUNTED STEEL CABINET WITH INTERIOR DOOR

Configuration: Cabinet, inner door, plate mounting locks, locking ring and accessories.

Material: Cold rolled steel

Surface treatment: thermoset powder coating, corrugated finish

Color: RAL-7032 (Gray)

Protection: IP65

Inner door set for fixing to the front of the box. The inner door can also be adjusted in depth via the SDCR bracket. Made of steel plate protected with RAL-7032 gray polyester epoxy paint.

Model	Door Solid	Transparent Door	W (mm)	H (mm)	D (mm)
ARAPI01	EI-43	EI-43T	400	300	200
ARAPI02	EI-54	EI-54T	500	400	200
ARAPI03	EI-64	EI-64T	600	400	200
ARAPI04	EI-75	EI-75T	700	500	250
ARAPI05	EI-86	EI-86T	800	600	300
ARAPI06	EI-106	EI-106T	1000	600	300
ARAPI07	EI-108	EI-108T	1000	800	300
ARAPI08	EI-128	EI-128T	1200	800	300



METER RING

Description:

To seal the meter socket type at the base holder, with 3 holes for the installation of sealing screw and other labels such PIN, Broken SEAL, etc.

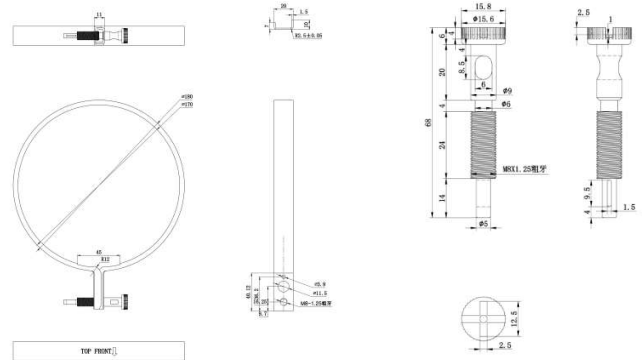
Dimensions:

- Lower edge of the rim diameter: 172mm
- Top edge of the rim diameter: 180mm
- Ring inner diameter: 170mm
- Number of hole: 3
- Diameter hole type seal broken seal: 4mm
- Sealing screw hole diameter: 7mm
- Diameter hole to seal PIN type: 11mm



Characteristics:

- Made of stainless steel.
- Ideally the security ring.
- Maybe have or have a security system
- Closing or sealing more robust.

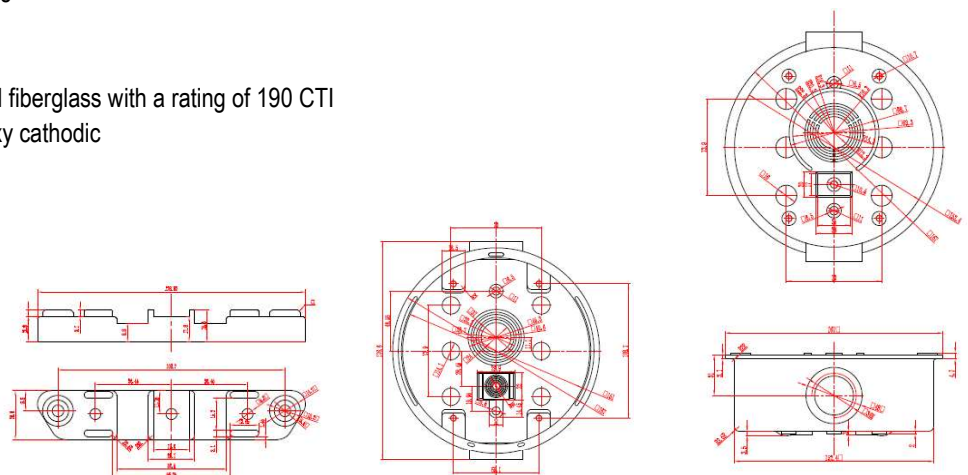


CIRCULAR BASE

Device in which the power meter is installed.

Characteristics:

- Outgoing line and load: 1/0 MAX, Cu-Al
- Rating: 100 Amp continuous output, 600 Vac
- Bypass: None
- Mounting: surface external pole NEMA 3R
- Sealing ring: stainless steel, sold separately
- Hub or hub plate: Fixed, up and down
- Interior: The units are supplied with four terminals
- Connectors: Made of carbon steel, augers
- Gags: resistant coated tin, copper gag
- Blocks: The clamp meter block polyester molded fiberglass with a rating of 190 CTI
- Housing: cast aluminum powder finish gray epoxy cathodic
- Security: sealing ring lockable



METER BOX

Description:

Line insulated box to accommodate both single and three phase electromechanical or electronic meters. Depending on the model, they can be equipped with support plate meter housing for switch. For its airtightness and insulation, they are ideal for installations in public places minimizing risks to any contact.

Technical characteristics:

Approximate dimensions:

Height: 345 mm

Width: 207 mm

Depth: 109 mm

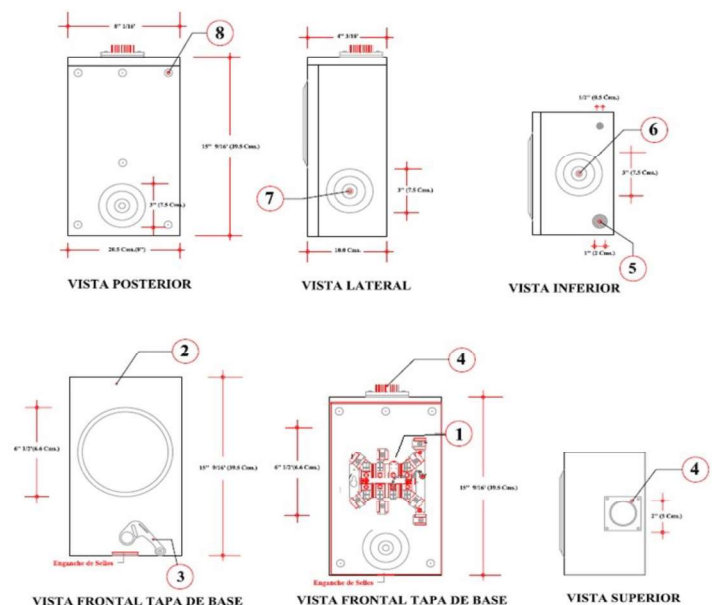
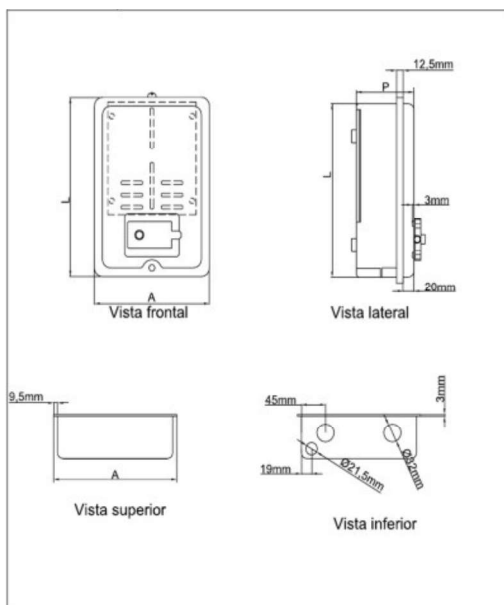
Material: Polycarbonate, salt corrosion resistance. Free of toxic emissions.

Degree of protection: IP43

Impact resistance: IK10

Fire resistance: 850° / 960° C

UV rays resistance: Yes



SMART CLUSTER METERING

Description:

Tamper-proof cabinets and used as components of prepaid smart AMI projects. The meters in this system can be configured as postpaid or prepaid.

Principal functions:

- Remote meter reading
- Switching on and off remotely
- Analysis power loss
- Customer Management
- Management authorization
- Recharge online
- Event Reports
- Data query and reporting
- Query Interface to the end user
- Easy installation and maintenance
- Self-protection design



Rated Voltage	Current	Meter position	Temperature (Limit operation range)	Material
120V/240V	≤400A	8/12/18	-30°C-80°C	Stainless steel

