



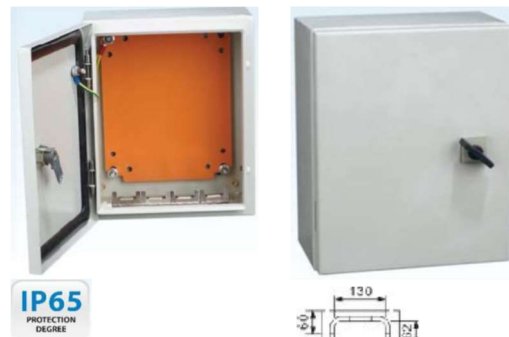
METERING ACCESSORIES

From meter bases to security seals, we can offer most meter accessories needed for installations.



WALL MOUNTED STEEL CABINET

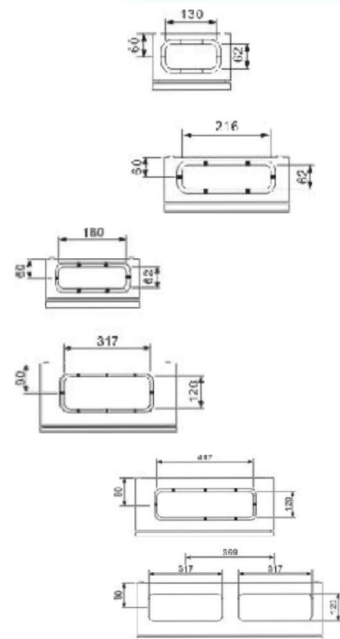
- Finish: Thermoset powder coating, corrugated finish
- Mounting plate: galvanized sheet
- Protection: IP65
- Material: Cold rolled steel cover and front door, mounting plate
- Colour: RAL7032
- Against mechanical impacts: IK10



Modelo	WxHxD (mm)	Enclosure & Door (mm)	Mounting Plate (mm)
ARAP01	250 x 200 x 150	1.2	2
ARAP02	300 x 250 x 150	1.2	2
ARAP03	300 x 250 x 200	1.2	2
ARAP04	300 x 300 x 150	1.2	2
ARAP05	300 x 300 x 200	1.2	2
ARAP06	300 x 400 x 200	1.2	2
ARAP07	400 x 300 x 150	1.2	2
ARAP08	400 x 300 x 200	1.2	2
ARAP09	400 x 400 x 200	1.2	2
ARAP10	400 x 600 x 250	1.2	2
ARAP11	400 x 600 x 300	1.2	2
ARAP12	500 x 400 x 150	1.2	2
ARAP13	500 x 400 x 200	1.2	2
ARAP14	500 x 400 x 250	1.2	2

Modelo	WxHxD (mm)	Enclosure & Door (mm)	Mounting Plate (mm)
ARAP15	500 x 500 x 250	1.2	2
ARAP16	600 x 400 x 150	1.2	2
ARAP17	600 x 400 x 200	1.2	2
ARAP18	600 x 400 x 250	1.2	2
ARAP19	600 x 500 x 200	1.2	2
ARAP20	600 x 500 x 200	1.2	2
ARAP21	600 x 500 x 250	1.2	2
ARAP22	600 x 600 x 250	1.2	2
ARAP23	600 x 600 x 300	1.2	2
ARAP24	600 x 800 x 300	1.2	2
ARAP25	700 x 500 x 200	1.2	2
ARAP26	700 x 500 x 250	1.2	2
ARAP27	800 x 600 x 200	1.2	2
ARAP28	800 x 600 x 250	1.2	2

Modelo	WxHxD (mm)	Enclosure & Door (mm)	Mounting Plate (mm)
ARAP29	800 x 600 x 300	1.2	2
ARAP30	800 x 600 x 400	1.2	2
ARAP31	800 x 800 x 200	1.2	2
ARAP32	800 x 800 x 300	1.2	2
ARAP33	800 x 1000 x 300	1.2	2
ARAP34	1000 x 600 x 250	1.2	2
ARAP35	1000 x 600 x 300	1.2	2
ARAP36	1000 x 800 x 250	1.2	2
ARAP37	1000 x 800 x 300	1.2	2
ARAP38	1000 x 800 x 400	1.2	2
ARAP39	1000 x 1000 x 300	1.2	2
ARAP40	1000 x 1200 x 300	1.2	2
ARAP41	1200 x 800 x 300	1.2	2
ARAP42	1200 x 800 x 400	1.2	2
ARAP43	1200 x 1000 x 300	1.2	2



WALL MOUNTED STEEL CABINET WITH INTERIOR DOOR

- Configuration: Cabinet, interior door, plate mounting locks, locking ring and accessories.
- Material: Cold rolled steel
- Surface treatment: thermosetting powder coating, corrugated finish
- Color: RAL-7032 (Grey)
- Protection: IP65

Inner door set for fixing to the front of the enclosure. The inner door can also be adjusted in depth via the SDCR bracket. Made of steel sheet protected with grey polyester epoxy paint RAL-7032

Modelo	Puerta Solida	Puerta Transparente	W (mm)	H (mm)	D (mm)
ARAPI01	EI-43	EI-43T	400	300	200
ARAPI02	EI-54	EI-54T	500	400	200
ARAPI03	EI-64	EI-64T	600	400	200
ARAPI04	EI-75	EI-75T	700	500	250
ARAPI05	EI-86	EI-86T	800	600	300
ARAPI06	EI-106	EI-106T	1000	600	300
ARAPI07	EI-108	EI-108T	1000	800	300
ARAPI08	EI-128	EI-128T	1200	800	300



SAFETY RING
Description:

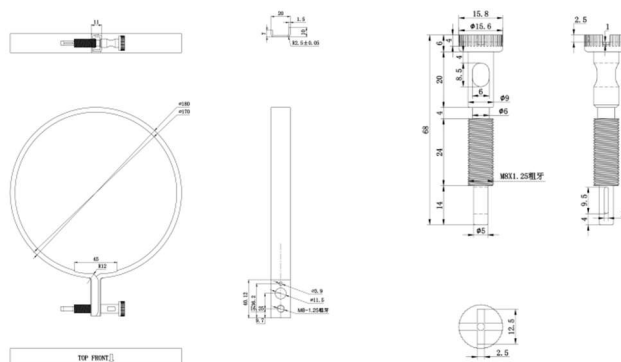
To seal the socket type meter in the meter holder base, with 3 holes for the installation of sealable screw and other seals such as PIN, Roto SEAL, etc.

Dimensions:

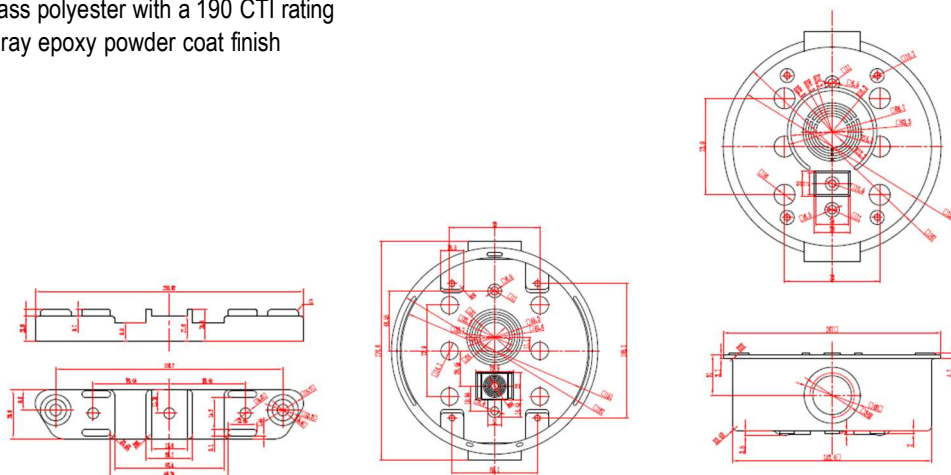
- Lower edge diameter of the ring: 172mm
- Upper edge diameter of the ring: 180mm
- Inner diameter of the ring: 170mm
- Number of holes: 3
- Hole diameter for roto seal type seal: 4mm
- Hole diameter for sealable screw: 7mm
- Hole diameter for PIN type seal: 11mm

Characteristics:

- Made of stainless steel.
- It may have or be equipped with a security system.
- More robust closure or sealing.


CIRCULAR BASE
Characteristics:

- Outgoing Line and Load: 1/0 MAX, Cu-Al
- Rating: 100 Amp continuous duty, 600 Vac
- Bypass: None
- Mounting: NEMA 3R Outdoor Post Surface
- Locking Ring: Stainless Steel, sold separately
- Hub or Hub Plate: Fixed, Top and Bottom
- Interior: Units are supplied with four terminals
- Connectors: Made of carbon steel, worm gears
- Jaws: Heavy duty tin plated, copper jaw
- Blocks: Meter block jaw molded from fiberglass polyester with a 190 CTI rating
- Housing: Die cast aluminum with cathodic gray epoxy powder coat finish
- Security: Lockable sealing ring



METER HOLDER BOX
Description:

Line of insulating boxes suitable for housing electromechanical or electronic meters, both single-phase and three-phase. Depending on the model, they can be equipped with a meter-holder plate or a switch housing. Due to their hermeticity and insulation, they are ideal for installations in public places, minimizing the risks of any type of contact.

Technical Features:
Approximate dimensions:

Height: 345 mm

Width: 207 mm

Depth: 109 mm

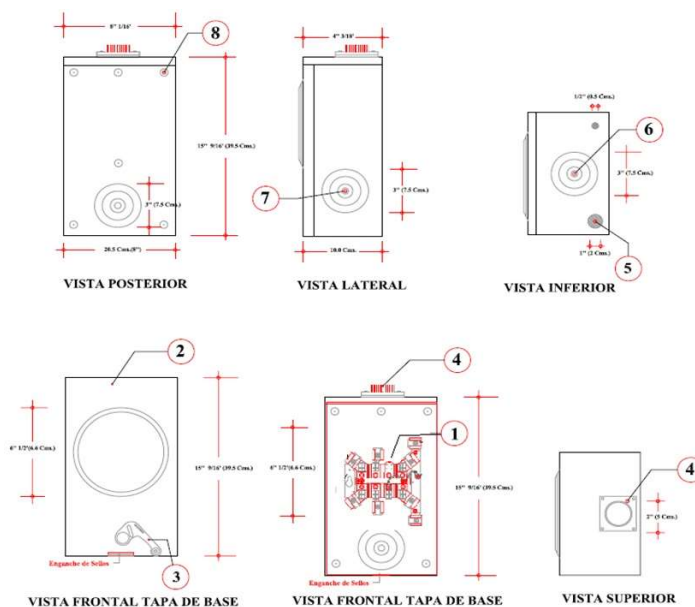
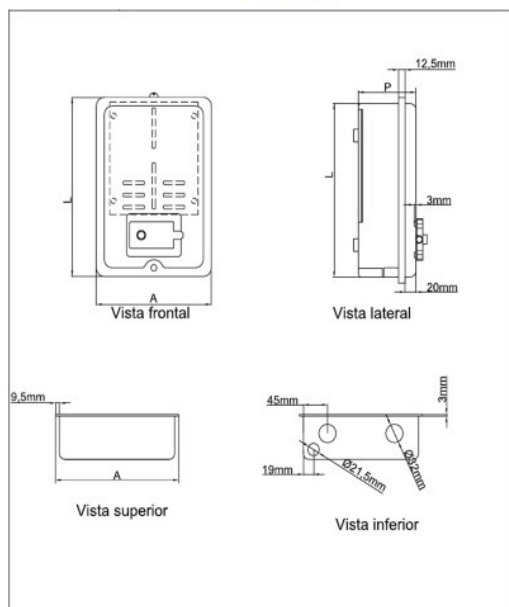
Material: Polycarbonate, Resistance to salt corrosion. Free of toxic emissions.

Protection Degree: IP43

Impact resistance: IK10

Fire resistance: 850°/ 960° C

UV resistance: Si



STAMPS
Description:

We provide all kinds of meter seals, used to secure the bases. Such as PIN type, Roto Seal, etc.


CABINETS
Description:

Tamper-proof cabinets used as components of smart prepaid AMI projects. Meters in this system can be configured as postpaid or prepaid.

Main functions:

- Remote meter reading
- Remote connection and disconnection
- Power loss analysis
- Customer management
- Authorization management
- Online recharges
- Event reports
- Data consultation and reports
- End-user query interface
- Easy installation and maintenance
- Self-protection design



Tasa Voltage	Corriente	Número de Medidores	Temperatura (Limite rango de operación)	Material
120V/240V	≤400A	8/12/18	-30°C-80°C	Acero Inoxidable

