



# CONECTORES

*We supply connectors for various uses from wedge connectors, piercing connectors, cable connectors and terminals, etc*



## WATERPROOF CONNECTORS

### Description:

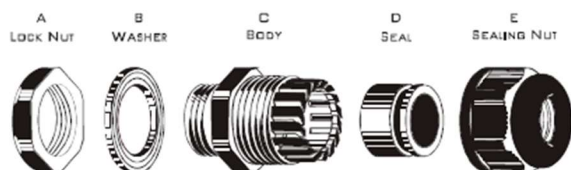
Waterproof connectors are used to join and secure the end of a cable to equipment, providing strain relief and eliminating water ingress into the equipment.

**Material:** Nylon PA66, UL 94

**Thread:** Metric, PG, G, NPT

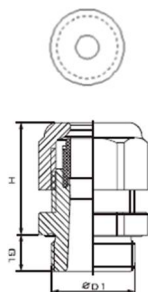
**Temperature:** -40°C to 100°C in static state and -20°C to 80°C in dynamic state

**Color:** Grey, black and other colors upon request.



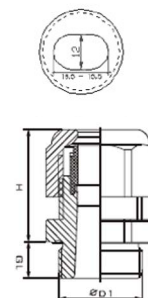
### 120 V

Rosca	mm	H mm	GL mm	mm
M 12 x 1.5	3-6, 5	21	8	15
M 12 x 1.5	2-5	21	8	15
M 16 x 1.5	4-8	22	8	19
M 16 x 1.5	2-6	22	8	19
M 16 x 1.5	5-10	25	8	22
M 20 x 1.5	6-12	27	9	24
M 20 x 1.5	5-9	27	9	24
M 20 x 1.5	10-14	28	9	27
M 25 x 1.5	13-18	31	11	33
M 25 x 1.5	9-16	31	11	33
M 32 x 1.5	18-25	39	11	42
M 32 x 1.5	13-20	39	11	42
M 40 x 1.5	22-32	48	13	53
M 40 x 1.5	20-26	48	13	53



### 240 V

Rosca	mm	H mm	GL mm	mm
3/8"	4-8	22	15	22/19
3/8"	2-6	22	15	22/19
1/2"	6-12	27	13	24
1/2"	5-9	27	13	24
1/2"	10-14	28	13	27
1/2"	7-12	28	13	27
3/4"	13-18	31	14	33
3/4"	9-16	31	14	33
1"	18-25	39	19	42
1"	13-20	39	19	42
1 1/4"	18-25	39	16	46/42
1 1/4"	13-20	39	16	46/42
1 1/2"	22-32	48	20	53
1 1/2"	20-26	48	20	53



## REMOVABLE FOR STIRRUP

### Description:

Used for connection with stirrups and for hot connections.

**Material:** Copper

**Hardware:** Copper

**Branch:** 6 - 4/0 AWG

**Operation range:** 4 - 1/0 AWG; 2/0 - 4/0 AWG

**Measurements:** bimetallic 1-0

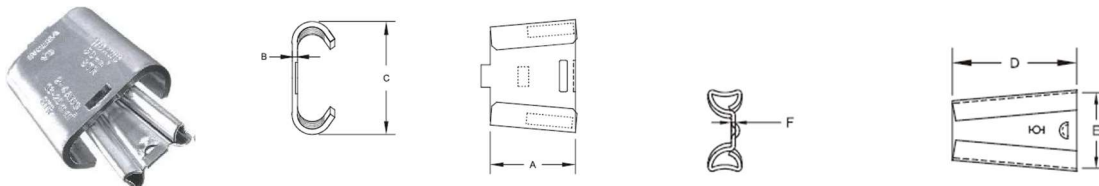


## WEDGES

### Description:

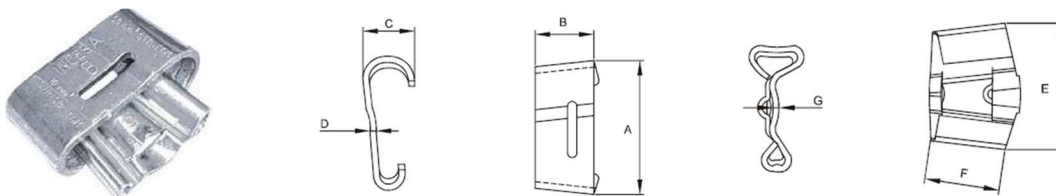
The system consists of aluminum alloy wedge connectors with or without stirrups and installation tools and applicators. The connector consists of a rigid wedge and an elastic body made of highly electrically conductive aluminum alloy. They are easily and safely installed and removed with the installation tools and applicators.

### SYMMETRICAL



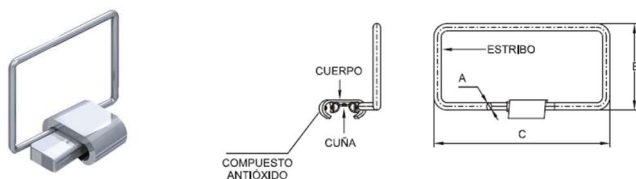
Suma de diámetro		Diámetro Principal		Diámetro Derivación		CCRL				Dimensionales (mm)							
						Tipo	Color	Referencia		A	B	C	D	E	F		
NBR 5370	Cubierta	ANSI C.119.4	Cubierta														
Min	Max	Min	Max	Min	Max												
11,19	14,01	3,17	8,12	3,17	7,42	I	Gris	93001-6	93051-2	93111-0	93131-4	32,0	2,2	33,5	32,0	17,6	1,0
9,51	11,18	3,17	8,12	3,17	5,21	II	Verde	93002-4	93052-0	93112-8	93132-2	19,0	2,2	29,8	18,8	17,2	1,0
7,68	9,50	2,54	6,55	1,27	4,65	III	Rojo	93003-2	93053-9	93113-6	93133-0	19,0	1,2	25,5	20,1	17,0	0,7
6,21	7,67	2,54	6,55	1,27	4,65	IV	Azul	93004-0	93054-7	93114-4	93134-9	19,0	1,2	24,0	20,1	17,0	0,7
4,70	6,20	2,54	4,93	1,27	4,65	V	Amarillo	93005-9	93055-5	93115-2	93135-7	19,0	1,2	22,1	20,1	17,0	0,7

### ASYMMETRIC



Suma de diámetro		Diámetro Principal		Diámetro Derivación		CCRL				Dimensionales (mm)							
						Tipo	Color	Referencia		A	B	C	D	E	F	G	
NBR 5370	ANSI C.119.4																
Min	Max	Min	Max	Min	Max												
9,1	10,95	5,6	9,36	1,74	5,1	A	Violeta	93012-2	93121-7	39,8	19,0	14,6	2,2	27,5	18,0	1,0	
10,95	13,11	6,2	9,36	1,74	5,1	B	Naranja	93011-3	93122-5	42,2	19,2	15,5	2,2	27,5	18,0	1,0	
13,11	14,75	8,2	12,74	1,74	5,1	C	Marrón	93010-5	93123-8	43,0	19,2	17,3	2,2	27,5	18,0	1,0	
14,75	17,0	9,5	12,74	1,74	5,1	D	Blanco	93013-0	93124-1	45,0	19,2	18,0	2,2	27,5	18,0	1,0	

### SYMMETRICAL WITH ALUMINUM BRACKET



Tipo	Aplicación			Dimensionales (mm)		
	Principal (AWG)		Estribo (AWG)	A	B	C
	Min	Max				
I	6 cu	2 CAA	2	6,35	76,5	156,5
VII	1/0 CA	2 CAA	2			

## SEALED TOOTHED

### Description:

The sealed toothed connectors are ideal for making branches in pre-assembled or concentric conductors, whether they are made of copper or aluminum. They are manufactured in different models that allow them to cover all the usual ranges of insulated lines.

Modelos	Capacidad			
	Principal (Al/Cu)		Derivado (Al/Cu)	
	mm2	AWG	mm2	AWG
DCNL-1D	25 - 95	3 - 4/0	1,5 / 10	16 - 7
DCNL-4D	50 - 150	1/0 - 300	4 / 35	12 - 2
DCNL-1E	10 / 120	7 - 4/0	1,5 / 10	16 - 7
DCNL-2E	16 / 95	5 - 4/0	4 / 35	12 - 2
DCNL-3E	25 / 120	3 - 250	25 / 120	3 - 250
	50 / 240	1/0 - 500	50 / 120	1/0 - 250
DCNL-4E	50 / 150	1/0 - 300	4 / 35	12 - 2
DCNL-5E	35 / 150	2 - 300	35 / 150	2 - 300
	185 / 240	350 - 500	50 / 150	1/0 - 300



## RETAINING STAPLES

### Description:

Guard wire retaining clips (lightning rods) are used on copper power conductors. They produce heating by magnetic induction .

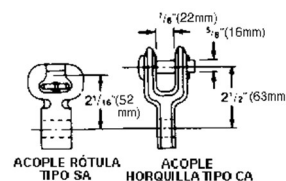
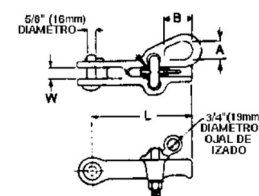
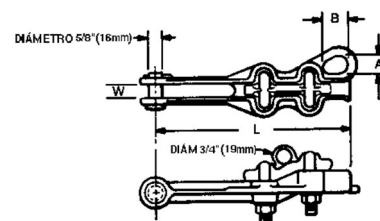
### Material:

Body and holder - malleable cast iron, galvanized

Hardware - Galvanized steel

Orbit (Ball Joint) and Clevis - Galvanized Malleable Cast Iron

Key - #302 Stainless Steel



Acoplamiento		Rango de Conductores	Carga de Rotura Nominal (Kg)	Caballetes		Diámetro Pulgadas (mm)			Peso Aprox. Unitario Lbs. (Kg)
Tipo	Número de Catálogo	Diámetro Pulg. (mm)		Cant.	Diámetro Pulg. (mm)	L	W	A x B	
Sin Rótula Horquilla		0,16-0,40 (4,06-10,16)	5.000 (2.268)	1	1/2 (12.70)	6 3/16 (157.16)	13/16 (20.6)	7/8 x 1 1/4 (22.2 x 31.18)	2,1 (.95) 3,4 (1,54) 3,7 (1,68)
Sin Rótula Horquilla		0,18-0,46 (4,57-11,68)	6.000 (2.722)	2	3/8 (9.53)	7 1/2 (190.5)	3/4 (19.05)	7/8 x 1 1/4 (22.2 x 31.18)	2,5 (1,13) 3,8 (1,72) 4,1 (1,86)
Sin Rótula Horquilla		0,36-0,60 (9,14-15,24)	8.000 (3.629)	2	1/2 (12.70)	8 15/16 (227.01)	3/4 (19.05)	7/8 x 1 1/4 (22.2 x 31.18)	3,8 (1,72) 5,0 (2,27) 5,4 (2,45)
Sin		0,46-0,86 (11,68-21,84)	10.000 (4.536)	2	1/2 (12.70)	9 1/4 (234.95)	3/4 (19.05)	1 x 1 7/16 (25.4 x 36.5)	3,8 (1,72)
Sin		0,65-1,25 (16,51-31,75)	10.000 (4.536)	2	1/2 (12.70)	11 (279.40)	3/4 (19.05)	1 x 1 13/16 (25.4 x 36.5)	5,5 (2,49)
Sin		0,86-1,55 (21,84-39,37)	10.000 (4.536)	2	3/8 (9.53)	12.5 (317.50)	3/4 (19.05)	1 1/18 x 1/8 (27.0 x 54.0)	7,9 (3,58)

## SLEEVE TYPE UNION

### Description:

Tinned copper sleeve connectors are used for low voltage overhead line splicing. They come in standard length and heavy duty length.

#### STANDARD

Dimensiones pulgadas (mm)		Peso unit. aprox. libras (kg)	Diámetro interior pulg. (mm)
L	D		
1 3/4 (44,45)	13/16 (20,64)	0,020(0,01)	0,198(5,03)
1 3/4 (44,45)	13/16 (20,64)	0,026(0,01)	0,246(6,25)
1 7/8 (47,62)	7/8 (22,22)	0,04(0,018)	0,306(7,77)
2 (50,8)	15/16 (23,81)	0,065(0,029)	0,443(11,25)
2 1/8 (53,98)	1 (25,4)	0,094(0,042)	0,490(12,45)
2 1/4 (53,98)	1 1/16 (26,97)	0,12(0,054)	0,595(15,11)
2 3/8 (53,98)	1 1/8 (28,58)	0,17(0,077)	0,700(17,78)
2 1/2 (63,5)	1 3/16 (30,16)	0,31(0,14)	0,762(19,35)

#### HEAVY DUTY

Dimensiones pulgadas (mm)		Peso unit. aprox. libras (kg)	Diámetro interior pulg. (mm)
L	D		
2 3/8 (60,32)	1 1/8 (28,58)	0,03(0,01)	0,198(5,03)
2 3/8 (60,32)	1 1/8 (28,58)	0,03(0,01)	0,246(6,25)
2 7/8 (73,02)	1 3/8 (34,92)	0,06(0,027)	0,358(9,09)
3 1/8 (79,38)	1 1/2 (38,1)	0,09(0,04)	0,443(11,25)
3 3/8 (85,72)	1 5/8 (41,28)	0,15(0,068)	0,547(13,89)
4 1/8 (104,78)	2 (50,8)	0,25(0,11)	0,650(16,51)
4 3/8 (111,12)	2 1/8 (53,98)	0,37(0,17)	0,762(19,35)
5 1/2 (139,7)	2 11/16 (68,26)	0,78(0,35)	0,923(23,44)

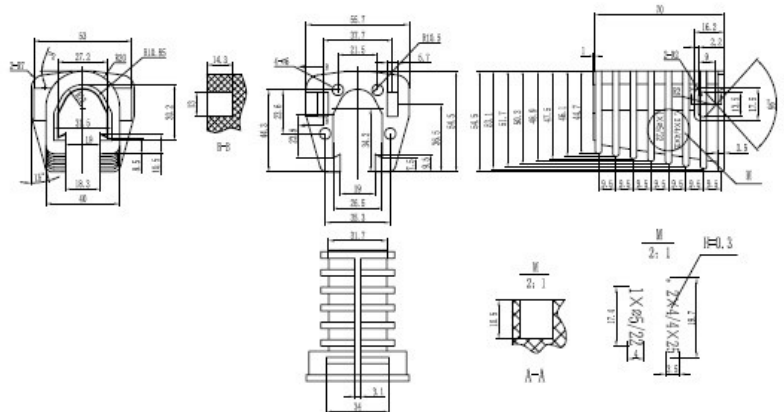


## RETAINING CLAMPS

### Description:

The retaining clamps are suitable for retaining pre-assembled and concentric conductor bundles and are capable of withstanding forces of up to 200 kg. Its self-adjusting design allows the retention of conductor bundles up to a diameter of 22 mm, allowing conductor displacements of up to 15 degrees.

Para Conductores	Carga de Trabajo daN
De hasta diámetro 12 mm (o 2x4-/25 mm <sup>2</sup> )	40/120
De hasta diámetro 22 mm	40/120
De hasta diámetro 22 mm horquilla acc inox.	40/120



**PLATE TERMINALS FOR TRANSFORMER**
**Description:**

They are secured to the insulator stud by means of a lock nut. Suitable for connecting copper terminals (for aluminium terminals use the "AXS" type).

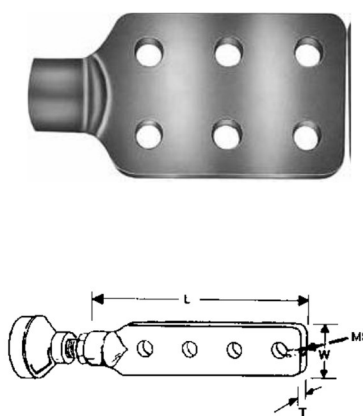
The holes for the terminals are 9/16" in diameter and the distance between holes is 1-3/4" according to NEMA standards. Normally, the lock nuts are provided by the transformer manufacturer. Therefore, they are not supplied with the terminal unless otherwise specified.

**Material:**

BXS model body: bronze alloy, tin plated.

AXS model body: aluminum alloy, tin plated.

Medida de la Rosca del Perno del Aislador	Descripción General y Aplicaciones	Dimensiones Aproximadas Pulgadas (mm)			Peso Aprox. cada 100 Piezas Libras (kg)
		Longitud	Ancho	Altura	
5/8"-11	2 Agujeros en Línea Espaciamento NEMA para Usar con Terminales de 1 Agujero	5,12 (130)	1,37 (35)	0,31 (8)	70 (32)
		5,06 (129)	1,93 (49)	0,34 (9)	142 (64)
5/8"-11	4 Agujeros en Línea Espaciamento NEMA para Usar con Terminales de 1 Agujero	8,50 (216)	1,37 (35)	0,31 (8)	120 (54)
		8,56 (218)	1,93 (49)	0,34 (9)	215 (98)
5/8"-11	4 Agujeros en Línea Espaciamento NEMA para Usar con Terminales de 1 Agujero	8,50 (216)	1,37 (35)	0,31 (8)	36 (16)
		8,56 (218)	2,00 (50)	0,34 (9)	65 (29)
5/8"-11	2 Juegos de Agujeros Espaciamento NEMA para Usar con hasta 4 Terminales de 2 Agujeros	5,37 (136)	3,50 (89)	0,25 (6)	132 (60)
		5,87 (149)	3,50 (89)	0,37 (9)	260 (118)
5/8"-11	2 Juegos de Agujeros Espaciamento NEMA para Usar con hasta 4 Terminales de 2 Agujeros	5,37 (136)	3,50 (89)	0,25 (6)	39 (18)
		6,62 (168)	3,50 (89)	0,37 (9)	256 (116)
5/8"-11	3 Juegos de Agujeros Espaciamento NEMA para Usar con hasta 6 Terminales de 2 Agujeros	7,00 (178)	3,50 (89)	0,37 (9)	315 (143)
		7,00 (178)	3,50 (89)	0,37 (9)	94 (430)
5/8"-11	4 Juegos de Agujeros Espaciamento NEMA para Usar con hasta 8 Terminales de 2 Agujeros	8,37 (213)	3,50 (89)	0,37 (9)	330 (150)
		8,75 (222)	3,50 (89)	0,37 (9)	362 (164)


**TINNED COPPER COMPRESSION TERMINALS**
**Description:**

Tinned copper compression terminals made of high conductivity electrolytic copper with inspection window to ensure complete insertion of the conductor at the time of installation.

**Technical Features:**

Voltage: 500 V

Frequency: 50/60 Hz

Max. use temperature: 125 C

Conductivity: 99,9%

Surface finish: tin plated

K (MM)	D (MM)	B (MM)	L (MM)
13,2	7,2	18,5	44,7
13,2	8,5	19,8	47,4
13,2	9,5	19,8	50,9
17	9,5	22,4	55,9
13,2	11,3	22,4	52,4
17	11,3	22,4	57,4
13,2	13,4	25	58,4
17	13,4	25	63,4
13,2	15,9	29	61,4
17	15,9	29	66,4

